



Concrete Designs Inc
 3650 S. BROADMONT DRIVE, TUCSON, AZ. 85713
 PH (520) 624-6653 TOLL FREE (800) 279 2278
 FAX (520) 624-3420 WEBSITE : www.concrete-designs.com

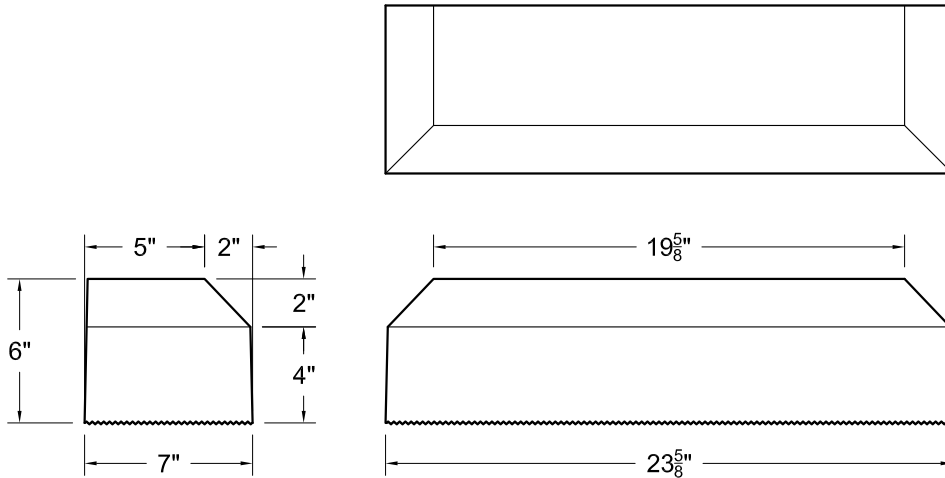
SPECIFICATION DRAWING

DETAIL NAME: SI 365 RD 23-5/8

WEIGHT +/-: 77 LBS.

DESCRIPTION/DETAIL: RETURN DOUBLE

SCALE: 1-1/2" = 1'-0"



In order to facilitate release of castings from molds it is necessary to apply draft to certain edges/sides of castings. Casting tolerance is +/- 1/8 inch. For questions regarding draft or tolerance contact your product consultant. CDI retains ownership of all molds and patterns. Due to space constraints, molds can not be stored indefinitely. Please inform your product consultant if you plan to use this product for future projects.
 ©2017 Concrete Designs Inc. All rights reserved.

NAME (Printed) :	SIGNATURE :	DATE:
------------------	-------------	-------